

Male stud connectors

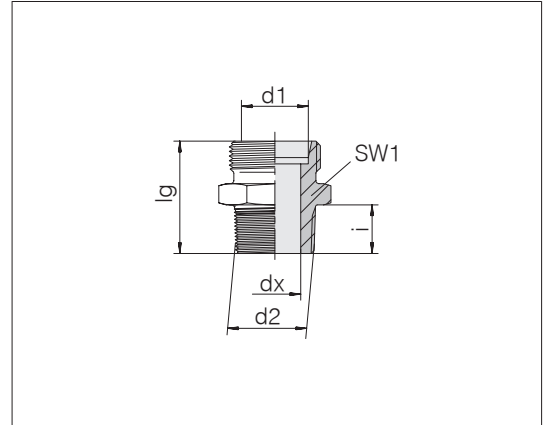
Male thread: BSPT thread, tapered

Threaded stud: DIN 3852-2 Form C

Sealing type: Tapered thread

Sealing material: e.g. PTFE sealing tape

Tube coupling: 24° in acc. with ISO 8434-1



Series	Tube OD	d1	d2	Pressure	dx	lg	SW1	i	kg/100 ca.	Order-No.	Designation	
LL	4	R 1/8	PN 100	4	20	11	6.2	0.8	0.703002000	24-SDS-LL4-R1/8T	¹⁾	
LL	5	R 1/8	PN 100	5	20	11	6.2	0.9	0.703052000	24-SDS-LL5-R1/8T	¹⁾	
LL	6	R 1/8	PN 100	6	20	11	6.2	0.8	0.703102000	24-SDS-LL6-R1/8T	¹⁾	
LL	6	R 1/4	PN 100	4.5	25	14	9.3	2.0	0.703112000	24-SDS-LL6-R1/4T		
LL	8	R 1/8	PN 100	8	22	12	6.2	0.9	0.703152000	24-SDS-LL8-R1/8T	¹⁾	
LL	8	R 1/4	PN 100	8	26	14	9.3	1.7	0.703172000	24-SDS-LL8-R1/4T		
L	6	R 1/8	PN 315	6	22	14	6.2	1.2	0.704002000	24-SDS-L6-R1/8T	¹⁾	
L	6	R 1/4	PN 315	6	26	14	9.3	1.9	0.704022000	24-SDS-L6-R1/4T		
L	6	R 3/8	PN 315	4	28	19	9.3	3.6	0.704032000	24-SDS-L6-R3/8T		
L	8	R 1/8	PN 315	8	23	14	6.2	1.5	0.704062000	24-SDS-L8-R1/8T		
L	8	R 1/4	PN 315	8	27	17	9.3	2.2	0.704052000	24-SDS-L8-R1/4T	¹⁾	
L	8	R 3/8	PN 315	8	28	19	9.3	3.4	0.704072000	24-SDS-L8-R3/8T		
L	8	R 1/2	PN 315	8	30	24	10.4	5.9	0.704082000	24-SDS-L8-R1/2T		
L	10	R 1/4	PN 315	10	28	17	9.3	2.3	0.704102000	24-SDS-L10-R1/4T	¹⁾	
L	10	R 3/8	PN 315	10	28	19	9.3	3.1	0.704122000	24-SDS-L10-R3/8T		
L	10	R 1/2	PN 315	10	31	24	10.4	5.6	0.704132000	24-SDS-L10-R1/2T		
L	12	R 1/4	PN 315	12	29	19	9.3	2.8	0.704162000	24-SDS-L12-R1/4T		
L	12	R 3/8	PN 315	12	29	19	9.3	3.3	0.704152000	24-SDS-L12-R3/8T	¹⁾	
L	12	R 1/2	PN 315	12	31	24	10.4	5.5	0.704172000	24-SDS-L12-R1/2T		
L	12	R 3/4	PN 315	9	34	30	12.4	8.2	0.704182000	24-SDS-L12-R3/4T		
L	15	R 1/4	PN 315	15	30	24	9.3	4.4	0.704232000	24-SDS-L15-R1/4T		
L	15	R 3/8	PN 315	15	30	24	9.3	4.4	0.704212000	24-SDS-L15-R3/8T		
L	15	R 1/2	PN 315	15	32	24	10.4	5.8	0.704202000	24-SDS-L15-R1/2T	¹⁾	
L	18	R 1/2	PN 315	18	33	27	10.4	6.4	0.704252000	24-SDS-L18-R1/2T	¹⁾	
L	18	R 3/4	PN 315	14	35	30	12.4	10.9	0.704272000	24-SDS-L18-R3/4T		
L	22	R 1/2	PB 160	22	35	32	10.4	8.1	0.704312000	24-SDS-L22-R1/2T		
L	22	R 3/4	PB 160	22	37	32	12.4	9.6	0.704302000	24-SDS-L22-R3/4T	¹⁾	
L	28	R 3/4	PB 160	28	38	41	12.4	13.9	0.704362000	24-SDS-L28-R3/4T		
L	28	R 1	PB 160	28	40	41	13.4	15.6	0.704352000	24-SDS-L28-R1T	¹⁾	

¹⁾ Standard size

Threaded stud in acc. with DIN 3852-2 Form C are approved for use for gas supply in accordance with DIN 3387-1.

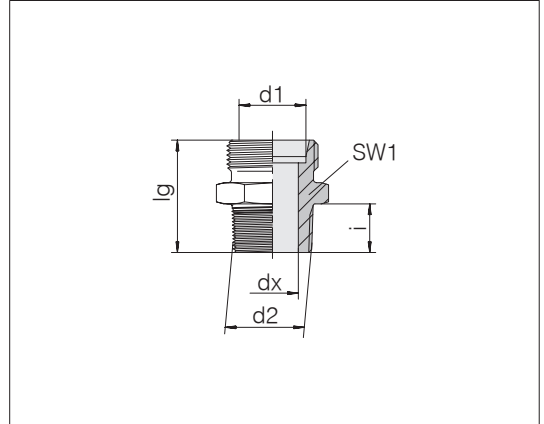
Example for comp.:
GE06LRkegX
DIN 2353-BL6-St

Continued on following page

Male stud connectors

Male thread: BSPT thread, tapered
 Threaded stud: DIN 3852-2 Form C
 Sealing type: Tapered thread
 Sealing material: e.g. PTFE sealing tape

Tube coupling: 24° in acc. with ISO 8434-1



Series	d2	Pressure	dx	lg	SW1	i	kg/100 ca.	Order-No.	Designation
Tube OD									
d1									
S 6	R 1/4	PB 630	6	30	17	9.3	3.0	0704502000	24-SDS-S6-R1/4T ¹⁾
S 8	R 1/4	PB 630	8	32	17	9.3	3.4	0704552000	24-SDS-S8-R1/4T ¹⁾
S 10	R 3/8	PB 630	10	32	19	9.3	4.4	0704602000	24-SDS-S10-R3/8T ¹⁾
S 12	R 1/4	PB 630	6	34	22	9.3	5.4	0704662000	24-SDS-S12-R1/4T
S 12	R 3/8	PB 630	12	34	22	9.3	5.8	0704652000	24-SDS-S12-R3/8T ¹⁾
S 14	R 3/8	PB 630	14	36	24	9.3	6.8	0704712000	24-SDS-S14-R3/8T
S 14	R 1/2	PB 630	14	38	27	10.4	8.9	0704702000	24-SDS-S14-R1/2T ¹⁾
S 16	R 3/8	PB 400	16	36	27	9.3	7.9	0704762000	24-SDS-S16-R3/8T
S 16	R 1/2	PB 400	16	38	27	10.4	8.5	0704752000	24-SDS-S16-R1/2T ¹⁾
S 20	R 1/2	PB 400	14	42	32	10.4	12.2	0704812000	24-SDS-S20-R1/2T
S 20	R 3/4	PB 400	20	44	32	12.4	14.1	0704802000	24-SDS-S20-R3/4T ¹⁾

¹⁾ Standard size

Operating pressure PB 630 only applies if holes with female conical threads are available.

